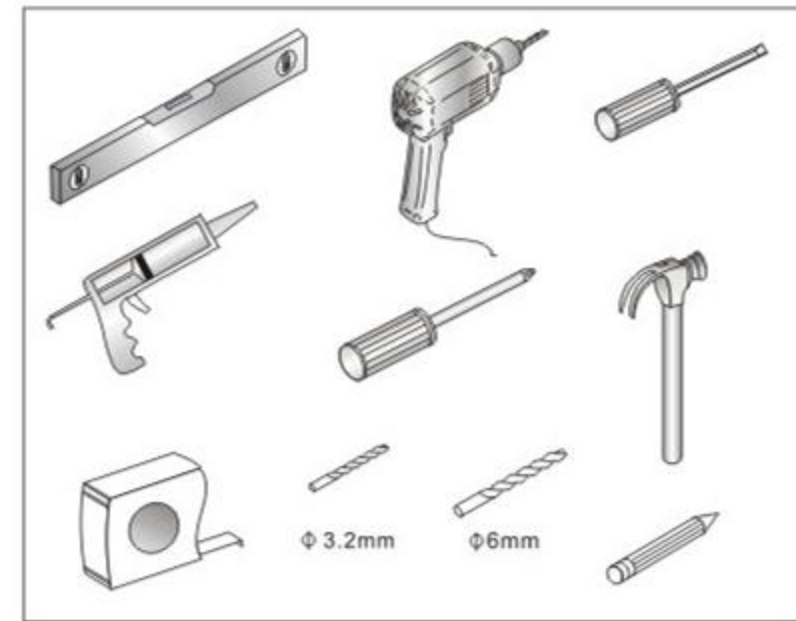
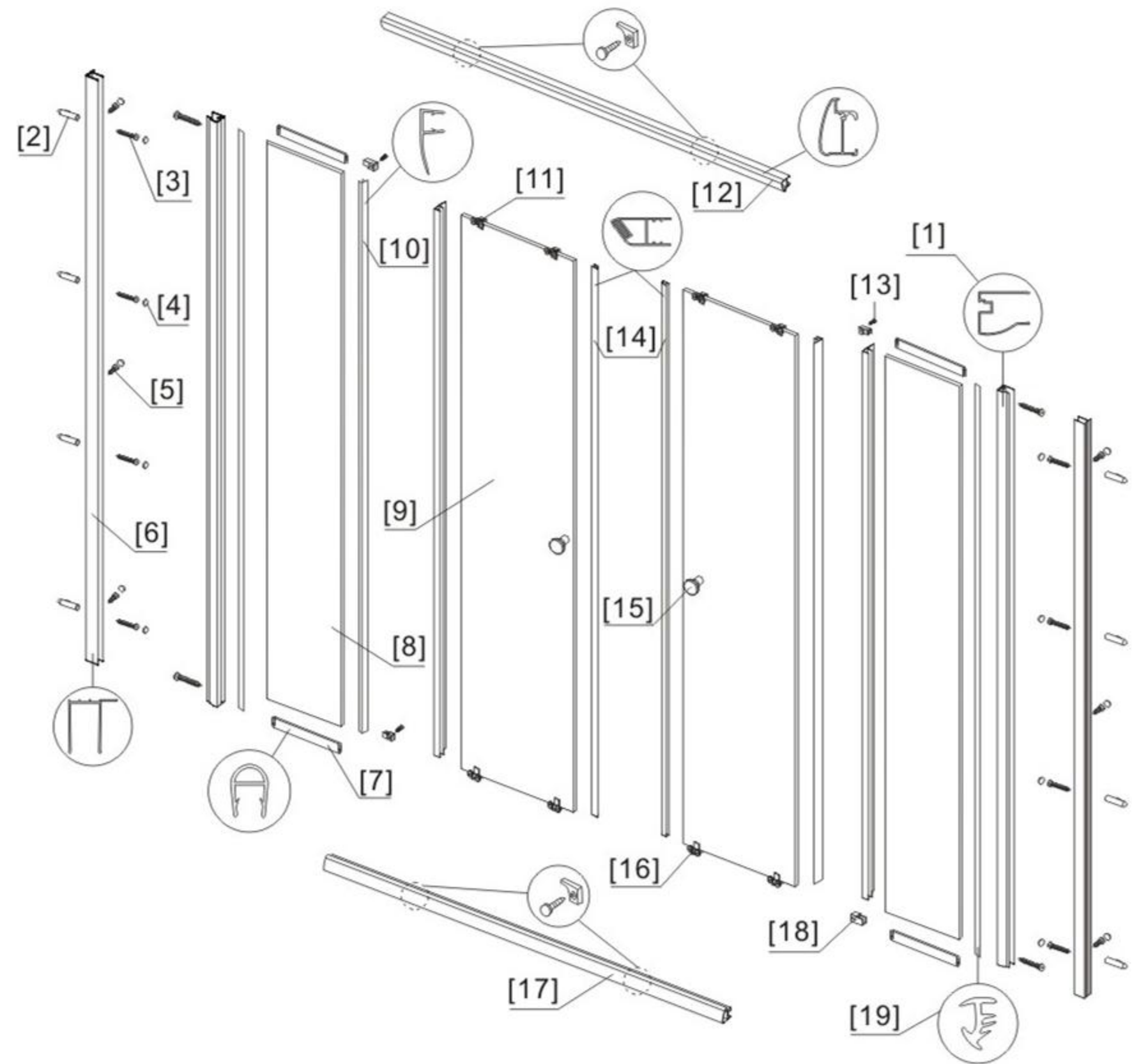


INSTALLATION INSTRUCTION



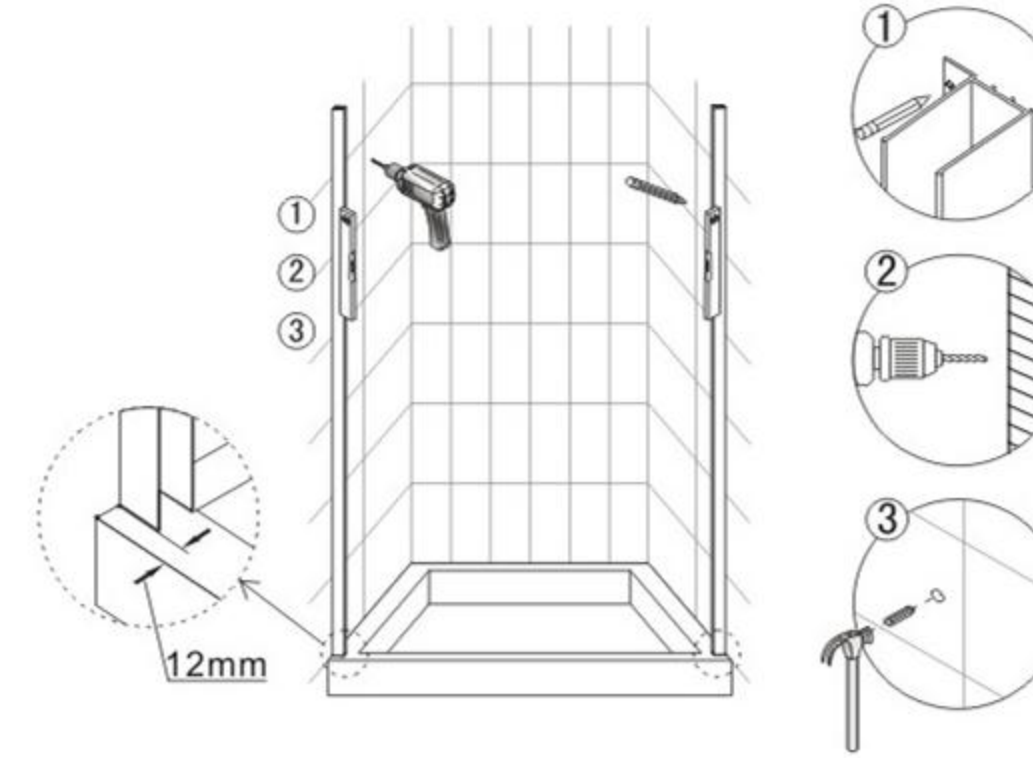
Installation tools



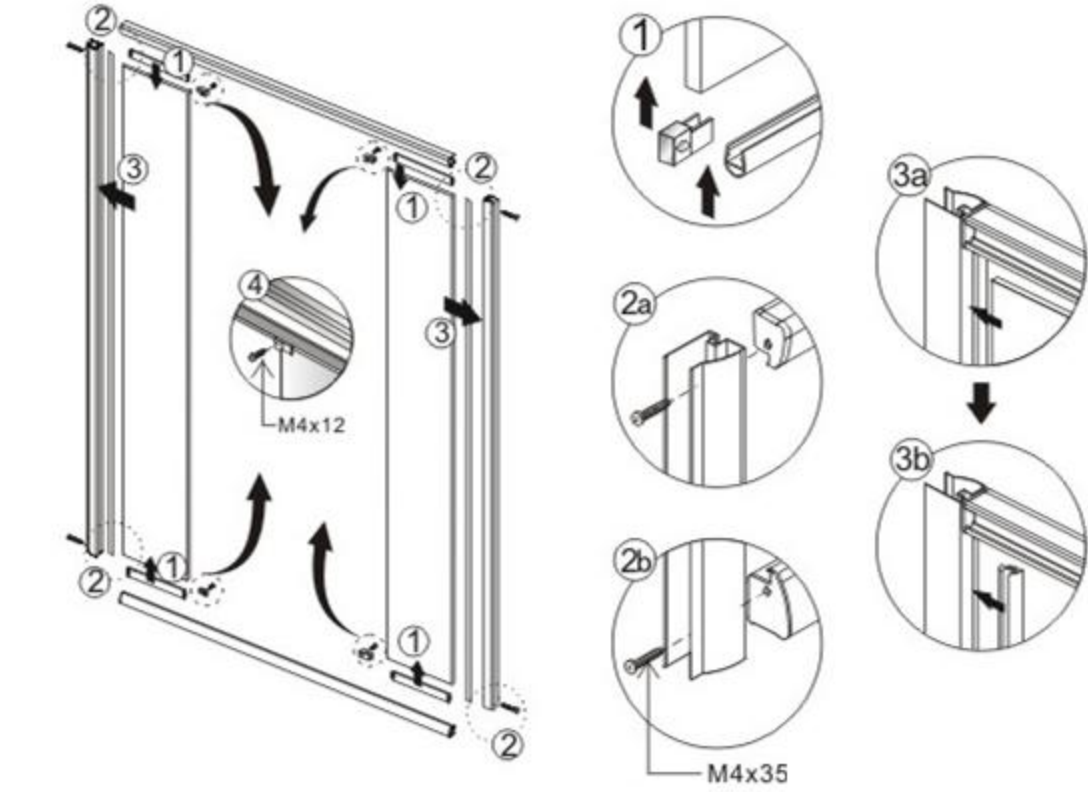
- | | | |
|-----------------------|--------------------------------------|--------------------------|
| [1] flex column 2pcs | [7] below door anti-water strip 4pcs | [13] screw M4*12 4pcs |
| [2] rubber 8pcs | [8] fixed door 2pcs | [14] door magnetism 2pcs |
| [3] screw M4*35 12pcs | [9] slippage door 2pcs | [15] handle 2pcs |
| [4] screw cap 8pcs | [10] anti-water strip 4pcs | [16] down wheels 4pcs |
| [5] screw M4*8 6pcs | [11] upper wheels 4pcs | [17] down column 1pcs |
| [6] wall column 2pcs | [12] upper column 1pcs | [18] bolt 4pcs |
| | | [19] rubber strip 2pcs |

Installation process

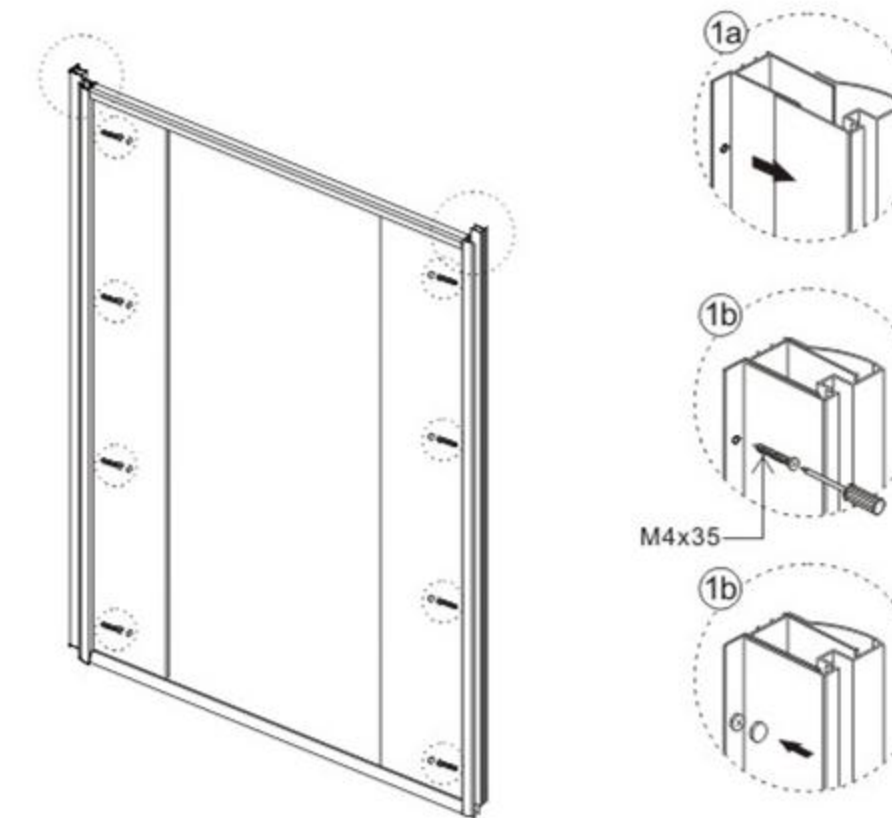
Step 1



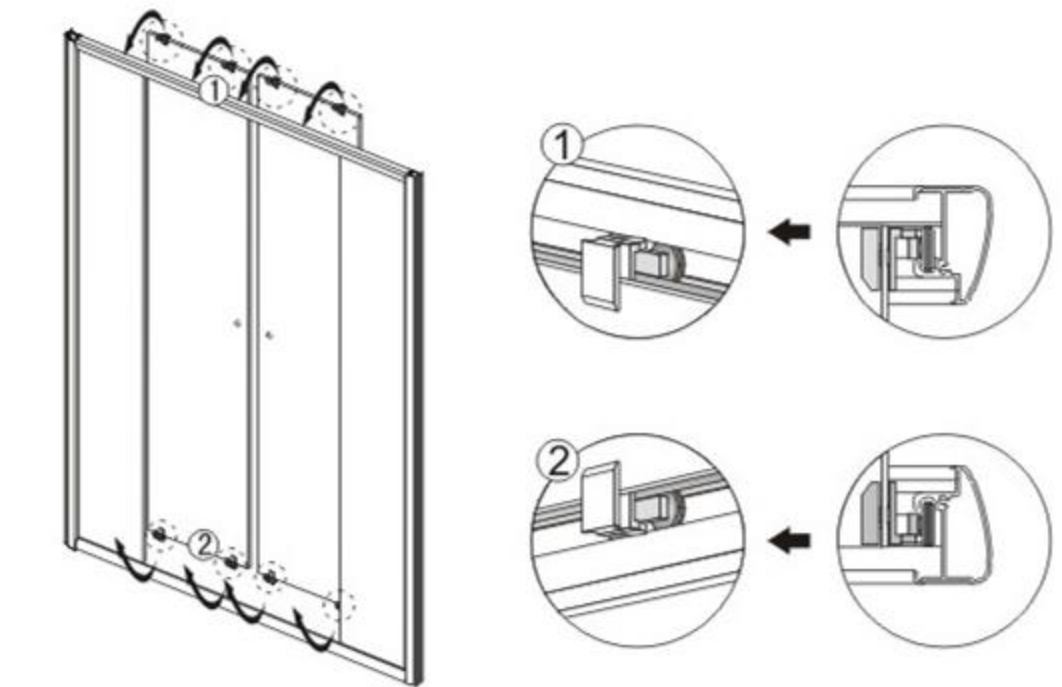
Step 2



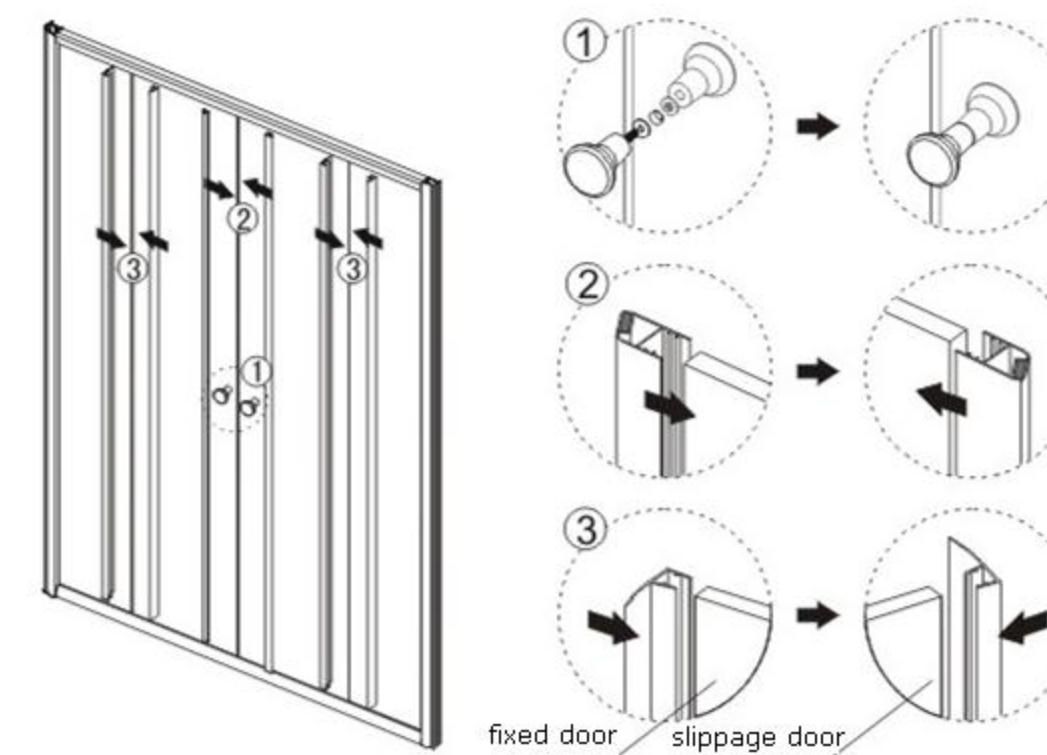
Step 3



Step 4



Step 5



Step 6

